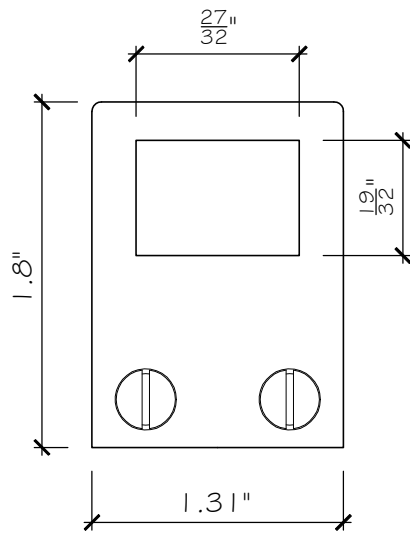
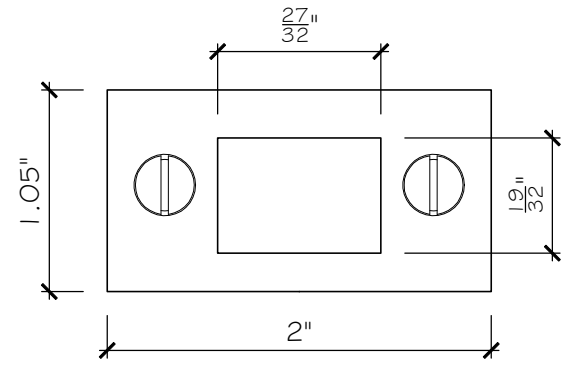




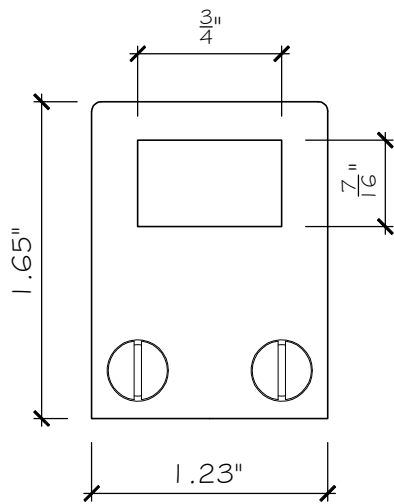
Cremona Strike Plate Options*



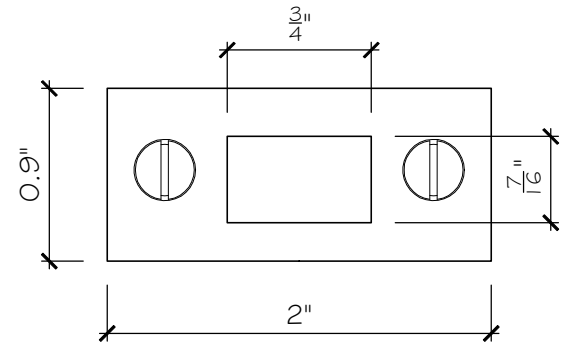
s1u detail menton u strike
 full scale 1/8" th., any finish



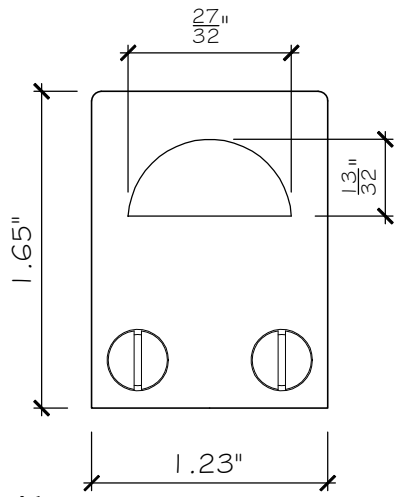
s1m detail menton m strike
 full scale 1/8" th., any finish



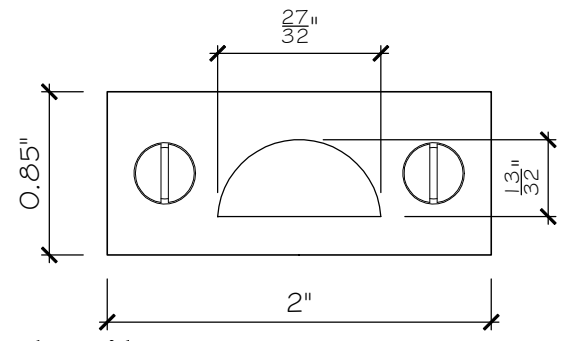
s2u detail ladrones u strike
 full scale 1/8" th., any finish



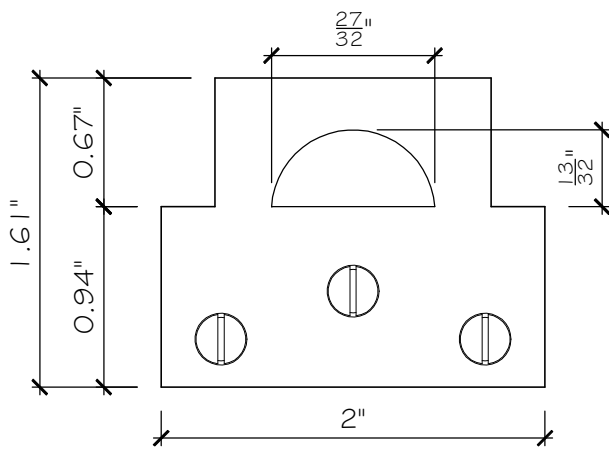
s2m detail ladrones m strike
 full scale 1/8" th., any finish



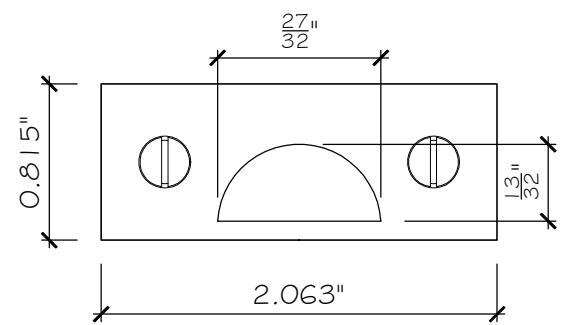
s3u detail bories u strike
 full scale 1/8" th., any finish



s3m detail bories m strike
 full scale 1/8" th., any finish



s4u detail adler u strike
 full scale .075" th., any finish



s4m detail adler m strike
 full scale .075" th., any finish

*custom cut cremone strikes are also available