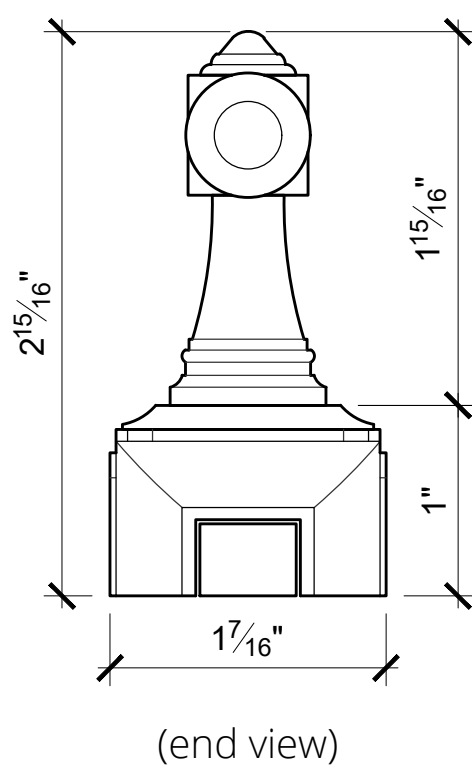
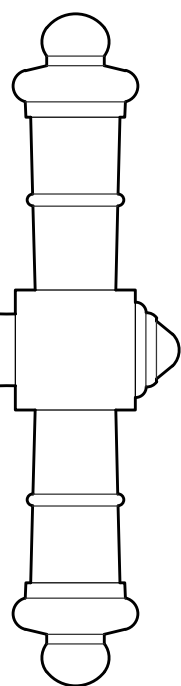
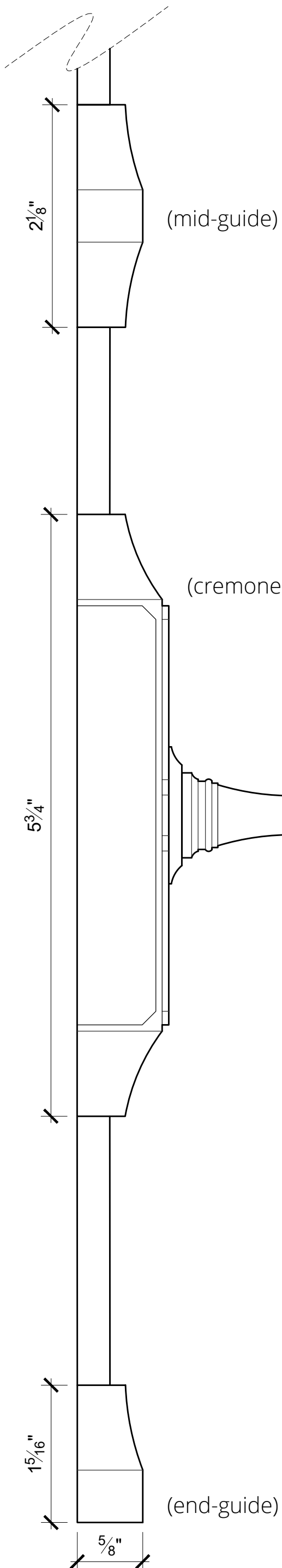




LADRONES CREMONE W/ SHEARRON T-KNOB



$\frac{3}{8}"$ X $\frac{1}{2}"$ rectangular rod

